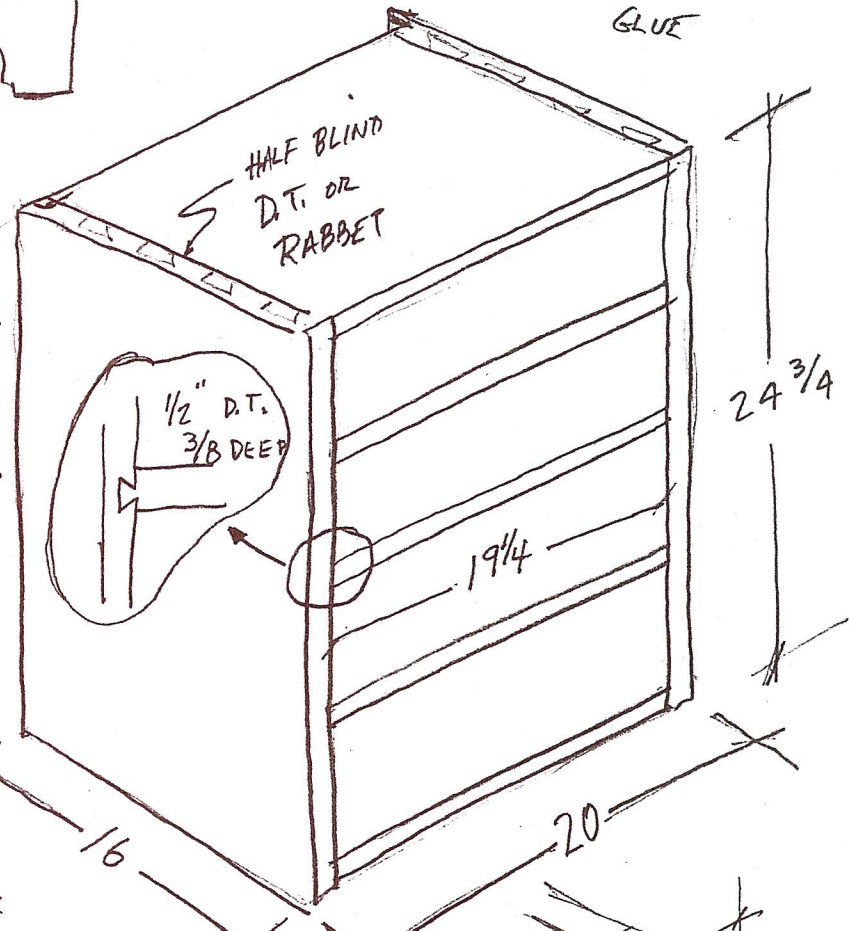
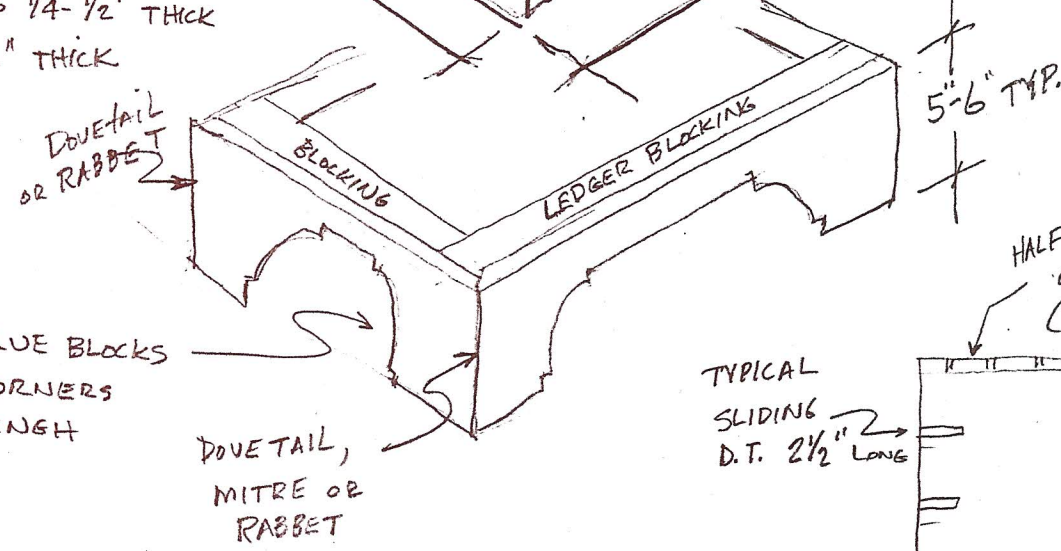


TYPICAL 2 1/2" DRAWER BLADE (RAIL)



ALL STOCK 3/4 - 7/8 THICK  
 DUST PANELS 1/4 - 1/2" THICK  
 BACK 1/4 - 1/2" THICK



APPLY GLUE BLOCKS INSIDE CORNERS FOR STRENGTH

DOVETAIL, MITRE OR RABBET

TYPICAL SLIDING D.T. 2 1/2" LONG

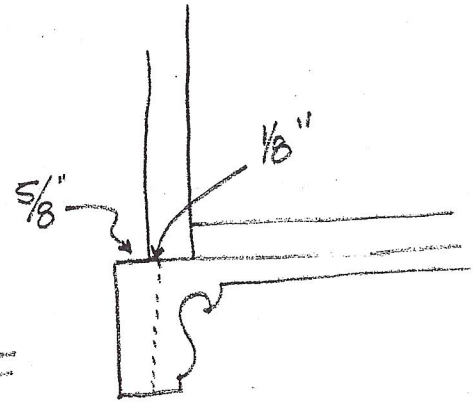
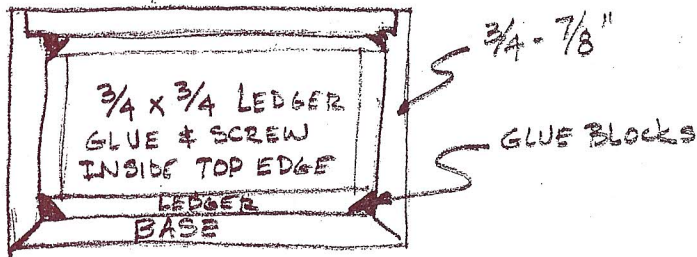
HALF BLIND D.T. OR RABBET (FOR SUB TOP & BOTTOM)

3/8 DEEP X 1/2" WIDE RABBET FOR BACK. IF USING 1/4 PLYWOOD FOR BACK, MAKE RABBET 7/8 X 1/4

- 2 SIDES 3/4 x 16 x 24 3/4
- SUB TOP & BOTTOM 3/4 x 16 x 19 1/4 s/s
- 3 FRONT RAILS 3/4 x 2 1/2 x 19 1/4 s/s
- 3 REAR RAILS 3/4 x 2 x 19 1/4 s/s
- 6 DRAWER RUNNERS 3/4 x 2 1/2 x 10 7/8 s/s
- 3 DUST PANELS 1/2 x 11 7/8 x 15 1/4

TOP 17 x 23

TOP VIEW



TYPE #1

APPLIED MOLDING

BASE

Bottom of CASE

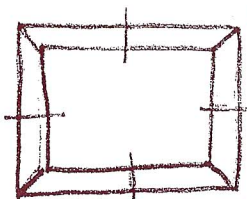
APPLIED MOLDING

1/8"

DOVETAIL,  
MITRE, RABBIT.  
APPLY GLUE BLOCKS  
TO INSIDE CORNER  
FOR STRENGTH

MOST ANY CASE CAN USE AT LEAST A  
5" TALL BASE. A 6", 7", 8" BASE WILL WORK  
WELL ON MANY CASES. IT ADDS LIFT TO THE CASE.

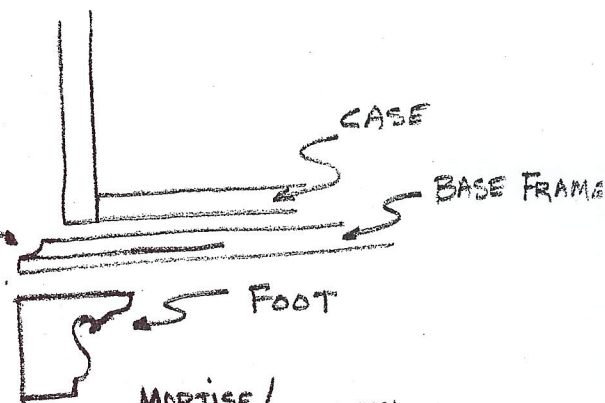
TYPE #2



MAKE A "BOX" WITH  
THE FEET TO FACILITATE  
GLUE-UP. THEN CUT APART

FOOT GLUED/SCREWED  
TO BASE FRAME  
REINFORCE W/  
GLUE BLOCKS

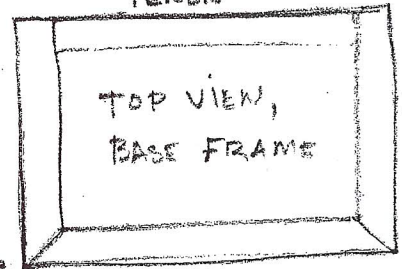
MOLD SHAPED  
DIRECTLY  
ON FRAME



MORTISE/TENON

DOVETAIL,  
MITRE, RABBIT.  
REINFORCE W/  
GLUE  
BLOCKS

MITRE  
REINFORCE  
W/ SPLINE  
OR "B"



2 1/2"  
TYPICAL