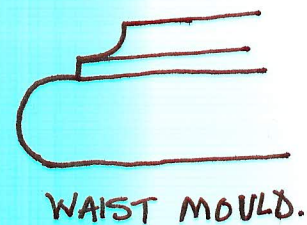
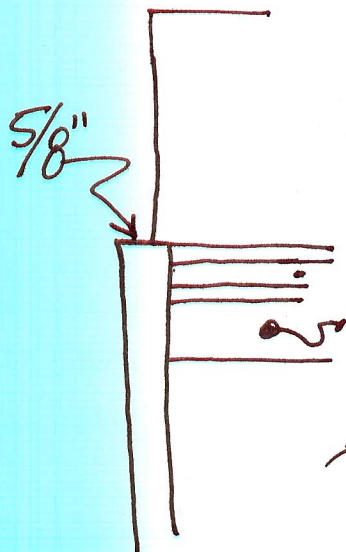
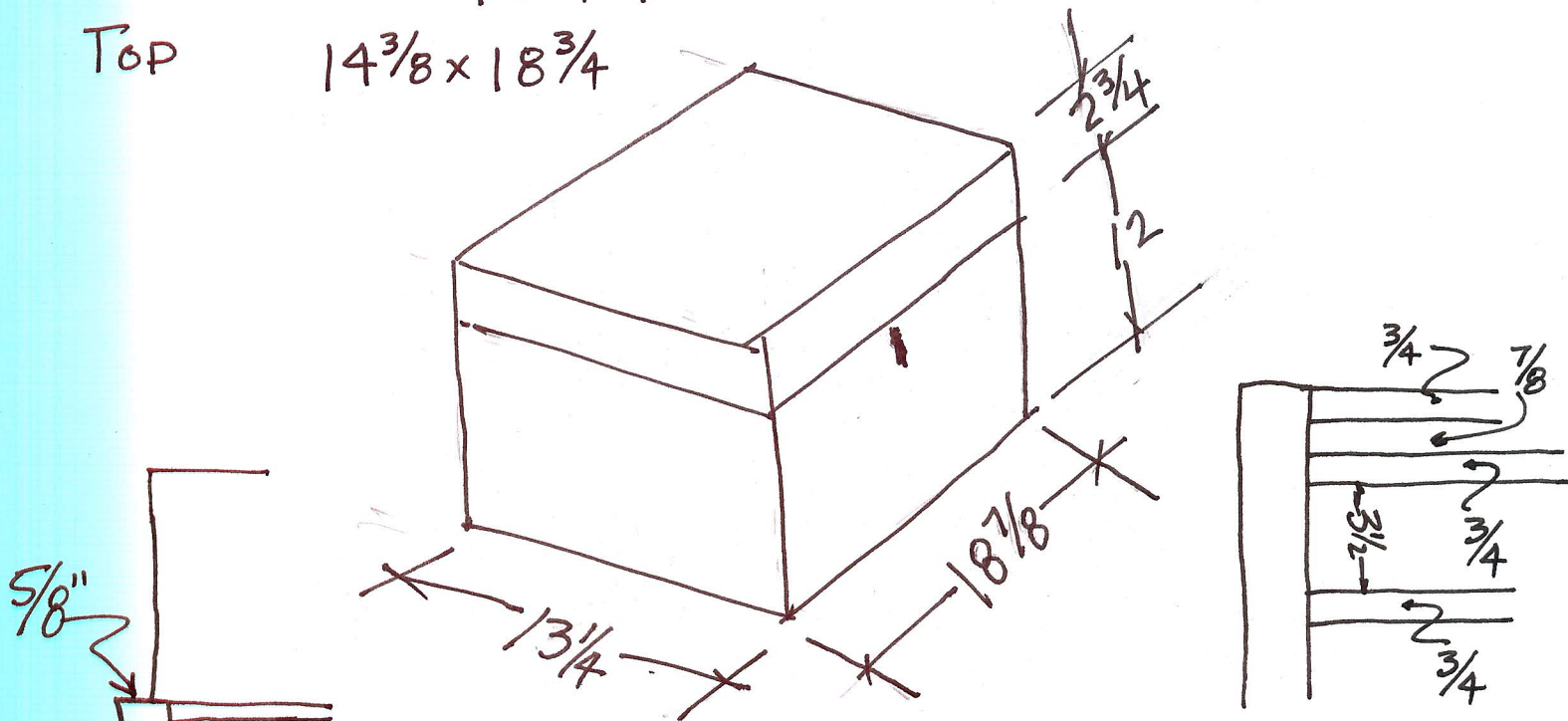


FRONT & BACK  $12 \times 18\frac{7}{8}$

ENDS  $12 \times 12\frac{3}{4}$  s/s

TOP  $14\frac{3}{8} \times 18\frac{3}{4}$



- 4 LEGS  $1\frac{3}{4} \times 1\frac{3}{4} \times 24$
- 3 F. RAILS  $1\frac{3}{4} \times \frac{3}{4} \times 16\frac{5}{8}$  s/s
- 1 BACK  $6\frac{5}{8} \times 16\frac{5}{8}$  s/s
- 2 SIDES  $6\frac{5}{8} \times 12\frac{1}{4}$  s/s

