

JOHN H. LEAKE III

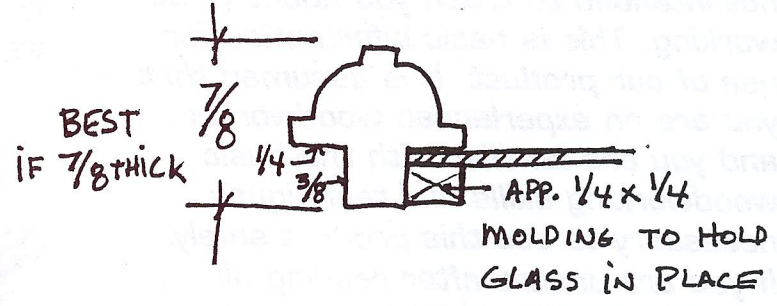
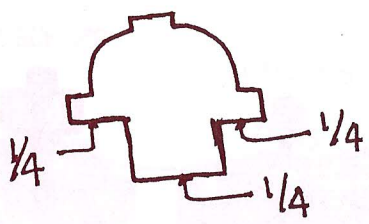
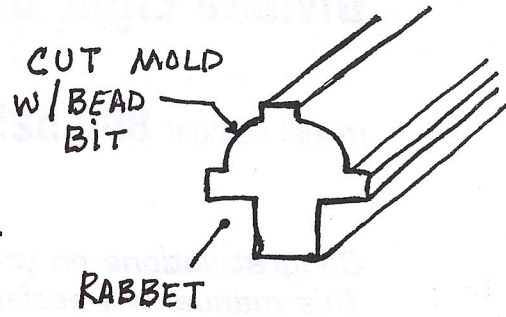
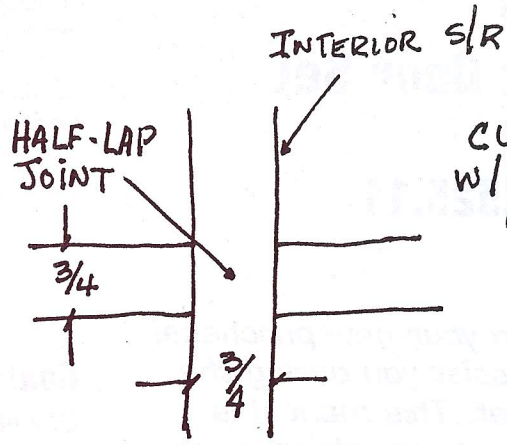
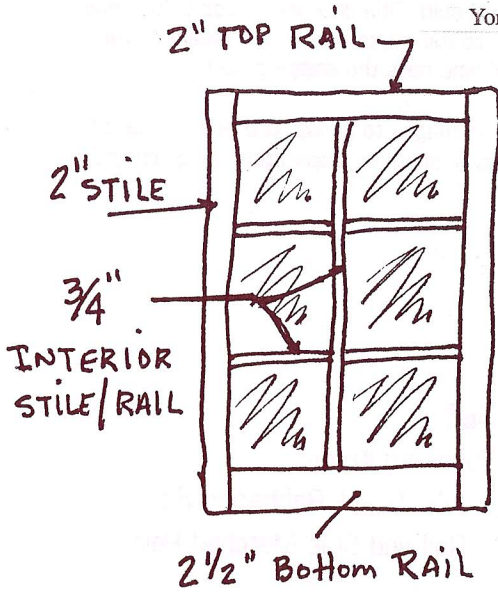
Cabinetmaker



Handmade Period Reproductions

1746 Filbert Hwy.
York, SC 29745

Home: (803) 684-6148
Shop: (803) 684-5651



- MAKE UP THE JOINERY TO SUIT YOURSELF. MORTISE & TENON WILL PROBABLY BE BEST. INTERIOR STILES & RAILS ARE CROSS LAPPED.
- THE INTERIOR RAILS MUST LINE UP W/ SHELVES.
- LAY OUT DOOR SO ALL PANELES ARE SAME SIZE.
- IF CABINET IS TO DISPLAY STANDING PLATES, SHELVES MUST BE MINIMUM 10 1/2" APART.
- ONCE JOINTS ARE MADE & DOOR IS ASSEMBLED, SAND BOTH SIDES FLAT.
- ROUTE THE FRONT SIDE FIRST WITH 1/4" BEADING BIT.
- ROUTE THE BACK SIDE WITH 1/4" RABBETING BIT. * ROUTE THE RABBET BACKWARD TO AVOID SPLINTERING. *
- SQUARE UP CORNERS OF RABBETS W/ BENCH CHISEL.
- CUT MOLDING STRIPS TO FIT RABBET/GLASS. SAND & FINISH DOOR & STRIPS BEFORE INSTALLING GLASS.
- USE 18 GA. BRADS (OR SMALLER), 2 PER STRIP. PLACE THIN CARD STOCK ON GLASS, LET TACK HAMMER "SLIDE" ON STOCK TO DRIVE BRAD.

Instruction Manual

Lonnie Bird's Divided Light Door Set

model number **800.525.11**

Congratulations on your new purchase! This manual will assist you during the use of your new set. This manual is not intended to teach you about woodworking. This is basic information for use of our product. It is assumed that you are an experienced woodworker and you are familiar with the basic woodworking skills and techniques necessary to use this product safely. If you are unsure after reading all material presented in the manual, please consult widely available books on woodworking techniques.

CMT

the only ORANGE one™

tel. 1-888-CMT-BITS • fax 1-800-268-9778

info@cmtusa.com • www.cmtusa.com

307-F Pomona Drive • Greensboro, NC 27407 • USA

General Conditions

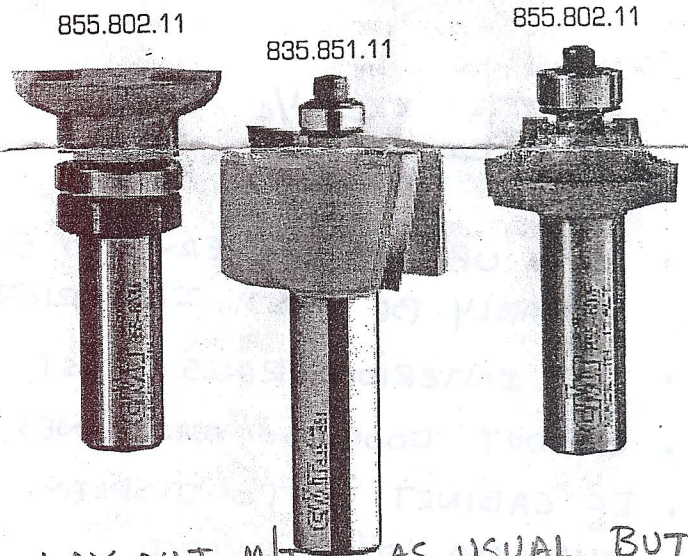
CMT USA, INC. reserves the right to make product changes without notice and without obligation to make these changes on products previously sold. Title and risk of loss or damage to the goods passes to the buyer upon consignment to the carrier regardless of who pays the shipping cost.

CMT is not liable for damages to goods, property, or persons, due to improper installation or misapplication of equipment.

Contents of Set

One each of the following items:

- | | |
|------------|-----------------------------|
| 835.851.11 | 1/2" Shank Rabbeting Bit |
| 855.802.11 | Rail and Stile Matched Pair |



LAY OUT MITER AS USUAL, BUT
NO SHOULDER ON I/S TENON
ADD 3/8" FOR EACH COPE
MORTISE 1 3/8" DEEP (1" TENON
1/4" TENON, OFFSET TO BACK

Read and understand the entire contents of this manual before attempting assembly or operation of these tools! Inspect contents for shipping damage and shortages. Report problems to your distributor immediately.