

JOHN H. LEAKE III

Cabinetmaker



Handmade Period Reproductions

BED CONSTRUCTION

Sizes of box springs and mattress

Single	39 x 75	Queen	60 x 80
Three-quarter	48 x 75	King	78 x 80
Double	54 x 75		76 x 80

Average combined thickness of box springs and mattress is 18".

POSTS: Posts should be 3"-4" square.
Heights vary according to style (36"-96")
Chamfer bottoms of posts to prevent splintering.

RAILS: 1 1/2"-2" thick, 5 1/2"-6" wide.
Shoulder length of rails equals mattress size.
14' stock has least waste.
Only foot rail needs to be of primary wood.
Tenon size 3/4" thick x 1/2" long x 5" wide.

HEADBOARD: 3/4"-1" thick, same length as head rail and tenons.
Place headboard in posts so mattress comes up approximately 2" onto headboard.

SLATS & SLAT RAIL: Slat rail 1"-1 1/2" thick x 1 3/4" wide, notched 3/4" deep x 3" to accept 6 equally spaced 1" x 3" slats.
Glue and screw to bottom edge of side rails.
Use 1" x 10" clear pine for slats.

HARDWARE: (8) 3/8 x 6" bed bolts
(8) bed bolt covers
(1) bed bolt wrench

TESTER: Lengths equal shoulder length of rail + 1 post thickness + width of top of post.

Source for Bed Hardware:

Horton Brasses
Nooks Hill Rd.

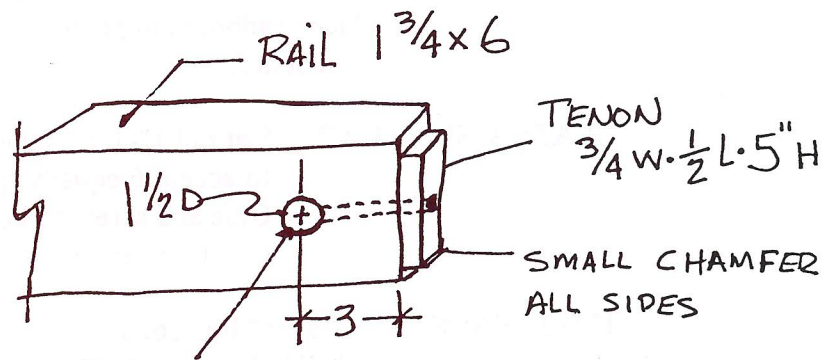
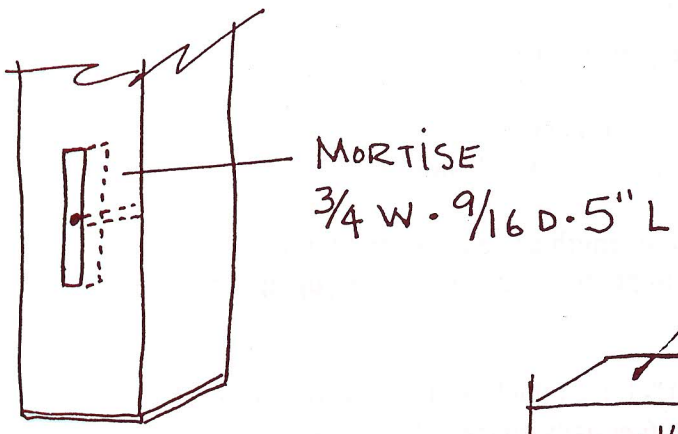
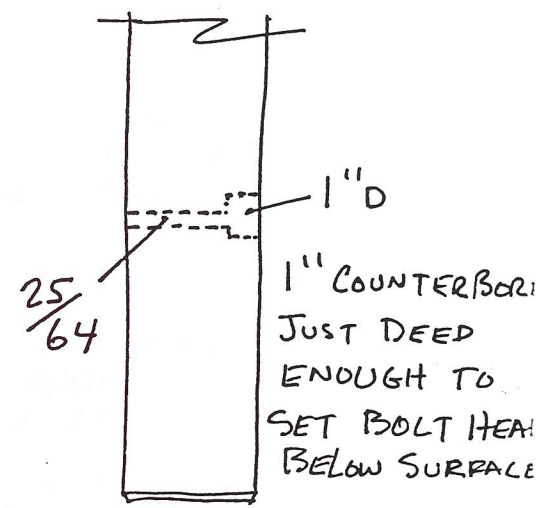
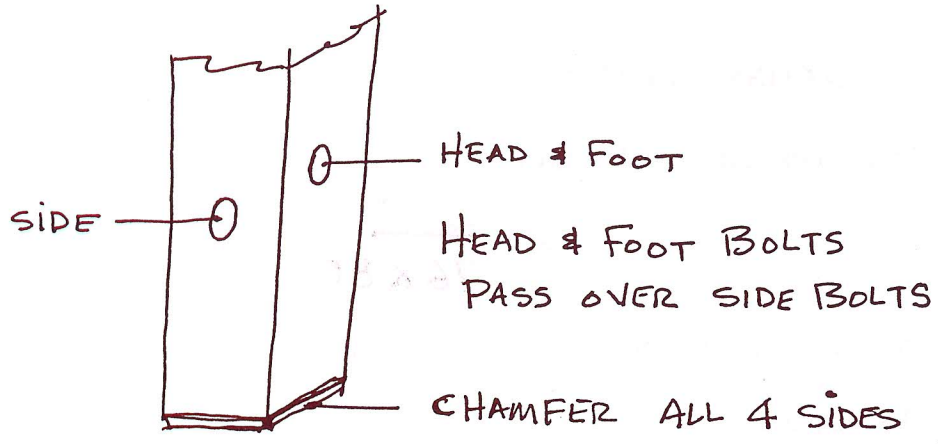
Cromwell, Conn. 06416
1-800-754-9127

(They will C.O.D./credit card)

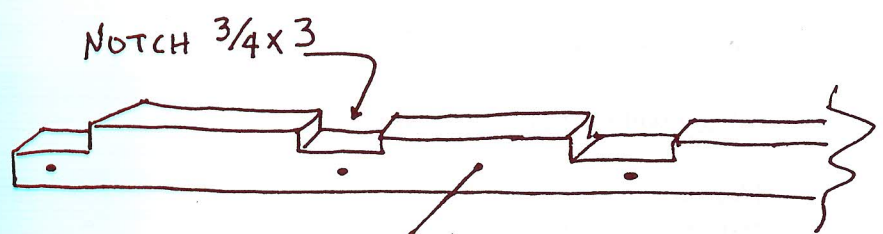
H-73 - 6" bolt
BW-3 wrench
H-33 cover



BED CONSTRUCTION



POCKET HOLE FOR NUT. DO NOT BORE COMPLETELY THROUGH RAIL



SLAT RAIL 1 1/2 T x 1 3/4 W 6 SLATS

