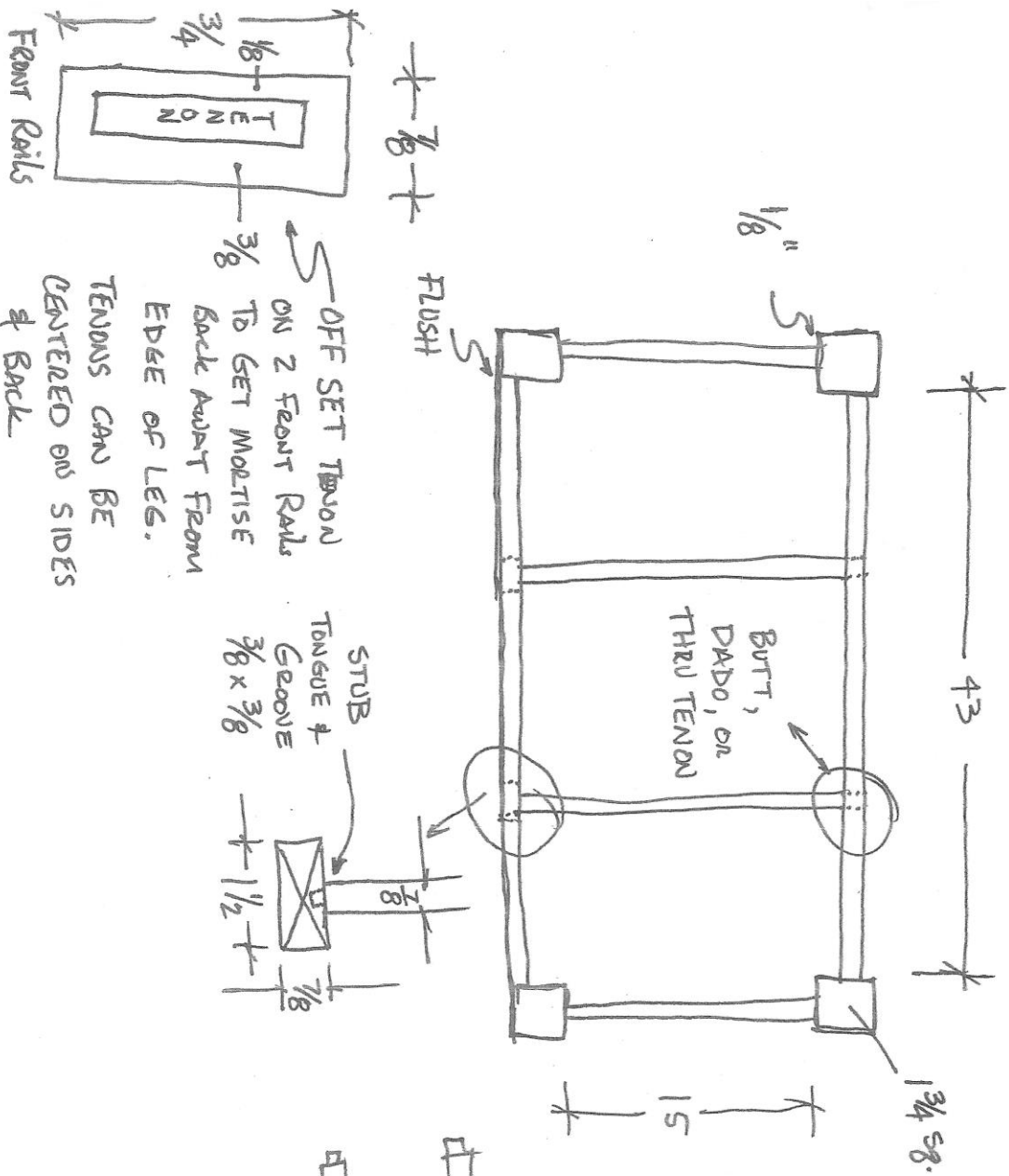
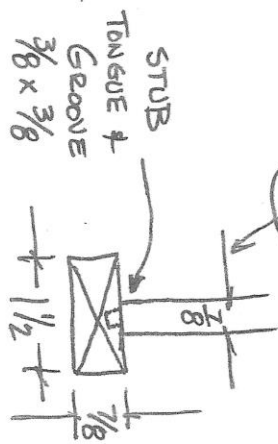


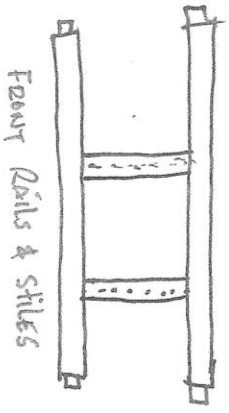
DETAILS
(NOT TO SCALE)



OFF SET TENON ON 2 FRONT RAILS TO GET MOLTISE BACK AWAY FROM EDGE OF LEGS. TENONS CAN BE CENTERED ON SIDES & BACK



LENGTH OF PARTITION = 15 + THE 2 OFFSETS + LENGTH OF FRONT & REAR TENONS



DOOR (2)

DETAILS
(NOT TO SCALE)

