

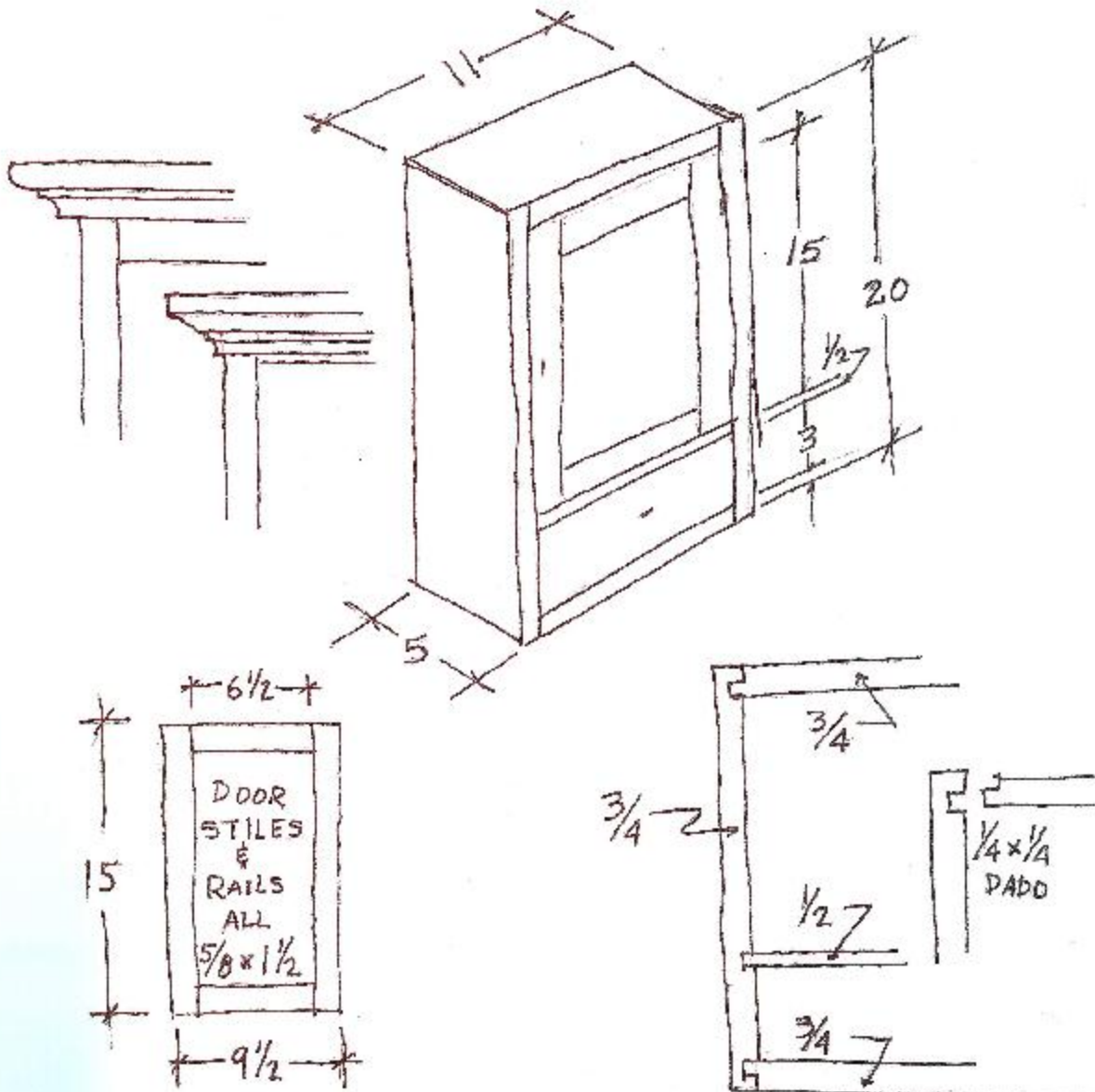
Leake's

ANTIQUES & CABINETMAKERS

since 1956

JOHN H. LEAKE III

JOHN H. LEAKE IV





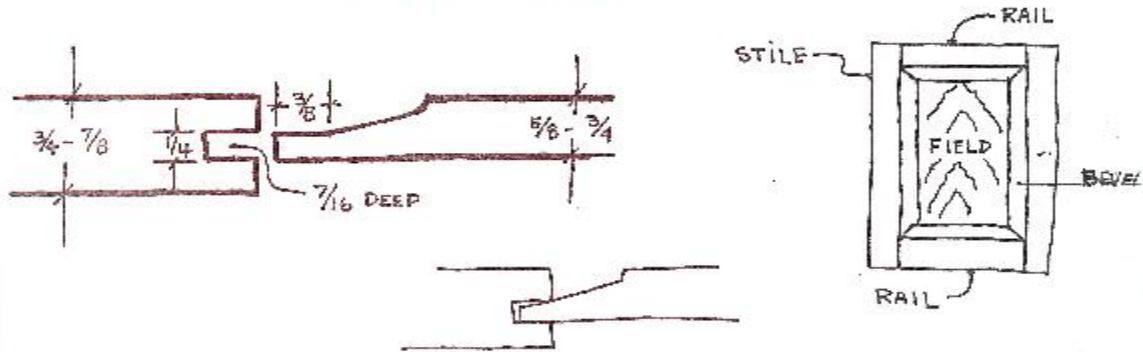
LEAKE'S ANTIQUES

Since 1966

Route 1, Highway 321 N. • York, S. C. 29745

Phone 684-5651

RAISED PANELS



RAISED PANELS

The main idea is to have a panel free-floating in frame. There must be room in the frame for expansion during wet and humid months. It is better to have the panel loose than too tight. Having the panel too tight can cause the corner joints of the frame to push open or cause splitting along the inside edges of the stiles where the bevel enters.

Completely sand out the bevel and the back of the panel before assembly. Also, if the piece is to be stained, stain the bevels and the back before assembly. It is also helpful to stain the inside edges of the stiles and rails before assembly.

The stile always goes all the way up and down. The bottom rail should be $\frac{1}{2}$ " - 1" (depending on size of door) wider than top rail.

